

Locking Wire Saddle

Nylon 66, 3.6 mm



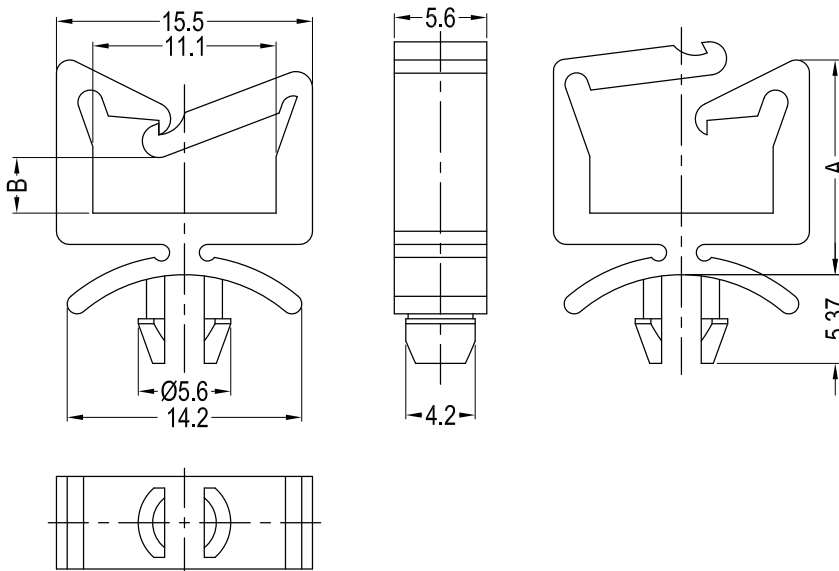
FEATURES:

For wire locking

Arrowhead mount

SPECIFICATION:

Material	Nylon 66
Colour	Natural
Affixing Method	Snap Lock
A	13 mm
B	3.6 mm
Hole Diameter	4.75±0.08 mm
Panel Thickness	1.6 mm



Art. Nr.

RND 610-00320